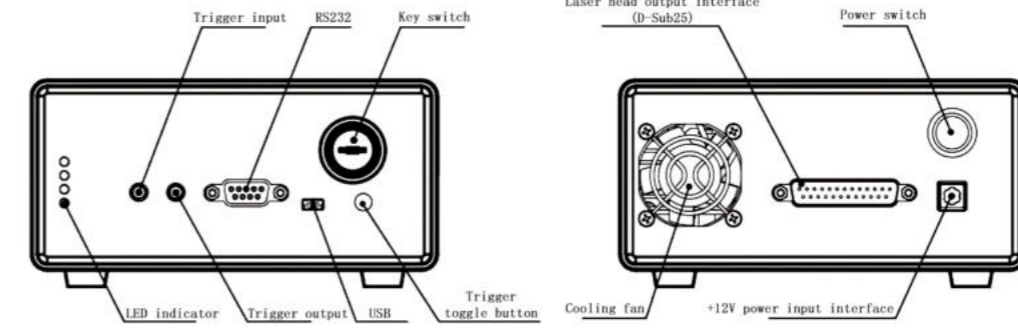


266nm 2ns Microchip Laser System of MCA Series

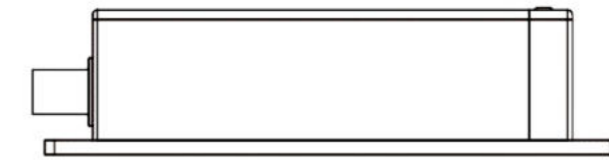
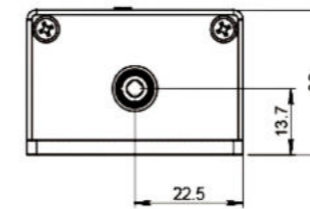


OUTLINE SIZE(mm)



Mainview of Driven

Rear view of Driven



DESCRIPTION

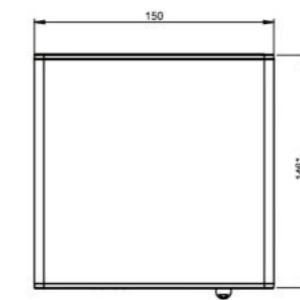
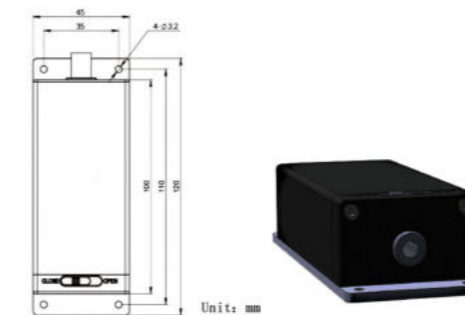
MCA series microchip laser is a passively Q-switched solid-state laser based on semiconductor pump. The laser pulse is pure without tail, the single pulse energy is stable, and the beam quality is good. The integrated design of semiconductor pump module and laser crystal makes the compact laser head easy to install and integrate. The system supports internal and external triggering. This series of products include four wavelengths of 1064nm, 532nm, 355nm and 266nm. The full sealing module inside the laser head can be used by customers for secondary development and application.

FEATURES

- Pulse width up to 1.5ns
- Pulse energy up to 200 μ J
- External pump source fiber pump pulse energy can reach 1.2mJ
- Repetition frequency up to 20kHz
- Beam mode is TEM00
- Fully sealed design, high reliability

APPLICATIONS

- Lidar
- Laser Ranging
- Atmospheric monitoring
- Laser ultrasonic inspection
- Optical metrology
- Laser-induced fluorescence



Top view of Driven



* Optical fiber pump for external pump source, power supply length: 200mm



PARAMETERS

Model	CL266-100Hz-10μJ-MCA001	CL266-100Hz-60μJ-MCA002	CL266-1KHz-8μJ-MCA003	CL266-5KHz-2μJ-MCA004	CL266-10KHz-1.5μJ-MCA005	CL266-20KHz-1.5μJ-MCA006	
Optical parameter	Wavelength (nm)	266	266	266	266	266	
	Repetition Frequency (kHz)	0.1	0.1*	1	5	5	20
	Average Powe (mW)	1	6	8	10	10	30
	Output Energy (uJ)	10	60	8	2	2	1.5
	Pulse Width (ns)	2000	2000	2000	1500	1500	1500
	Power Stability (8h)	±3%	±3%	±3%	±3%	±3%	±3%
	Beam Mode	TEM ₀₀	TEM ₀₀	TEM ₀₀	TEM ₀₀	TEM ₀₀	TEM ₀₀
	Full-Angle Divergence Angle Typ. (Mrad) Level @ 1/e ²	<2	<2	<2	<4	<4	<4
	Vertical @ 1/e ²	<2	<2	<2	<4	<4	<4
	Polarization Characteristics	>100:1	>100:1	>100:1	>100:1	>100:1	>100:1
System Power Consumption (W)	<15	<15	<20	<25	<25	<35	
System parameters	Power Input	100-240 VAC,50/60Hz					
	Modulation Input	TTL0-5V,SMA interface					
	Control Interface	RS232、USB					
	Power Supply Size (W × H × L, mm)	150×76×146/150×76×200*					
	Laser Head Size (W × H × L, mm)	45×30×120					
	Working Temperature (°C)	15-35					
	Storage Temperature (°C)	0-60					

